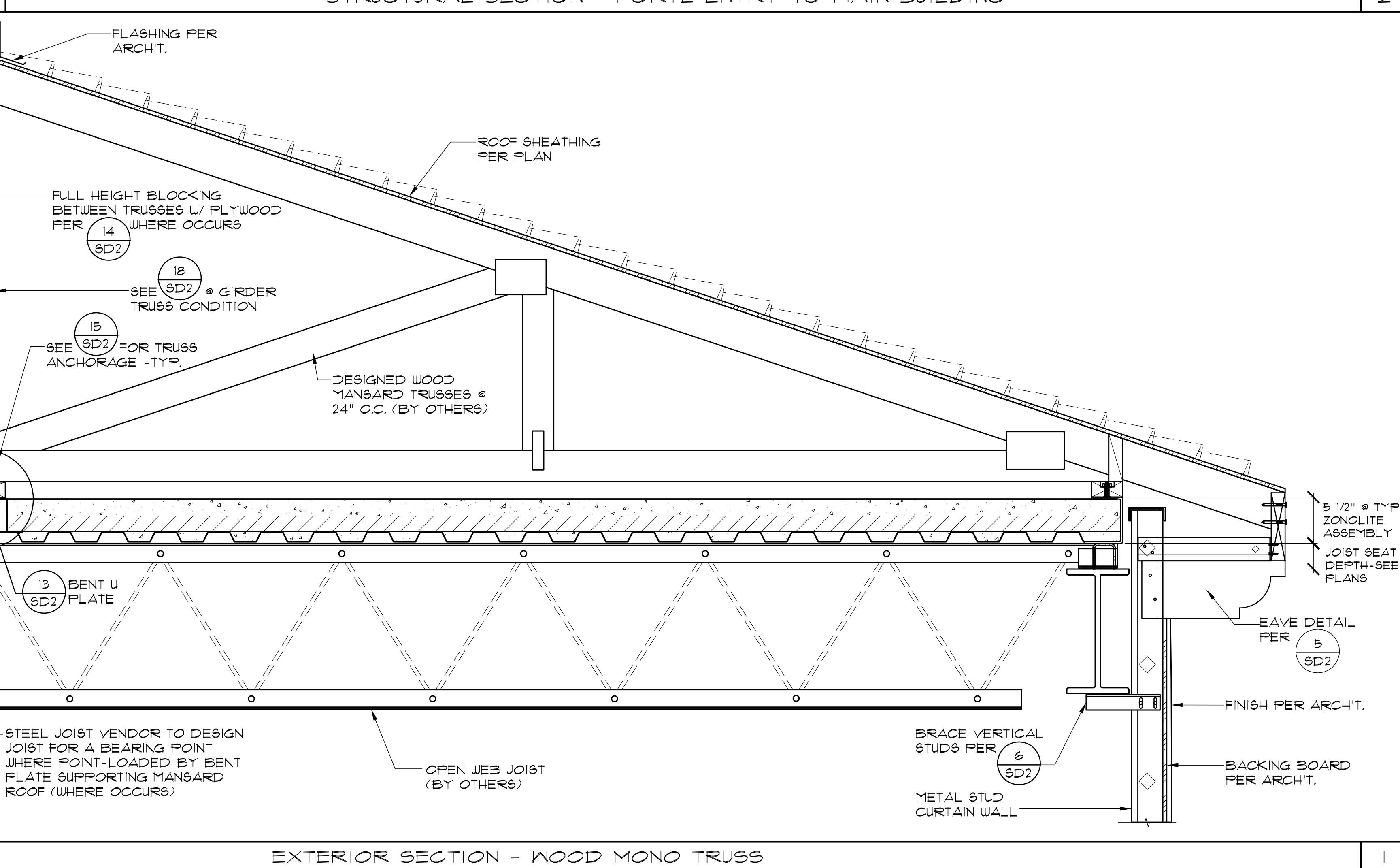
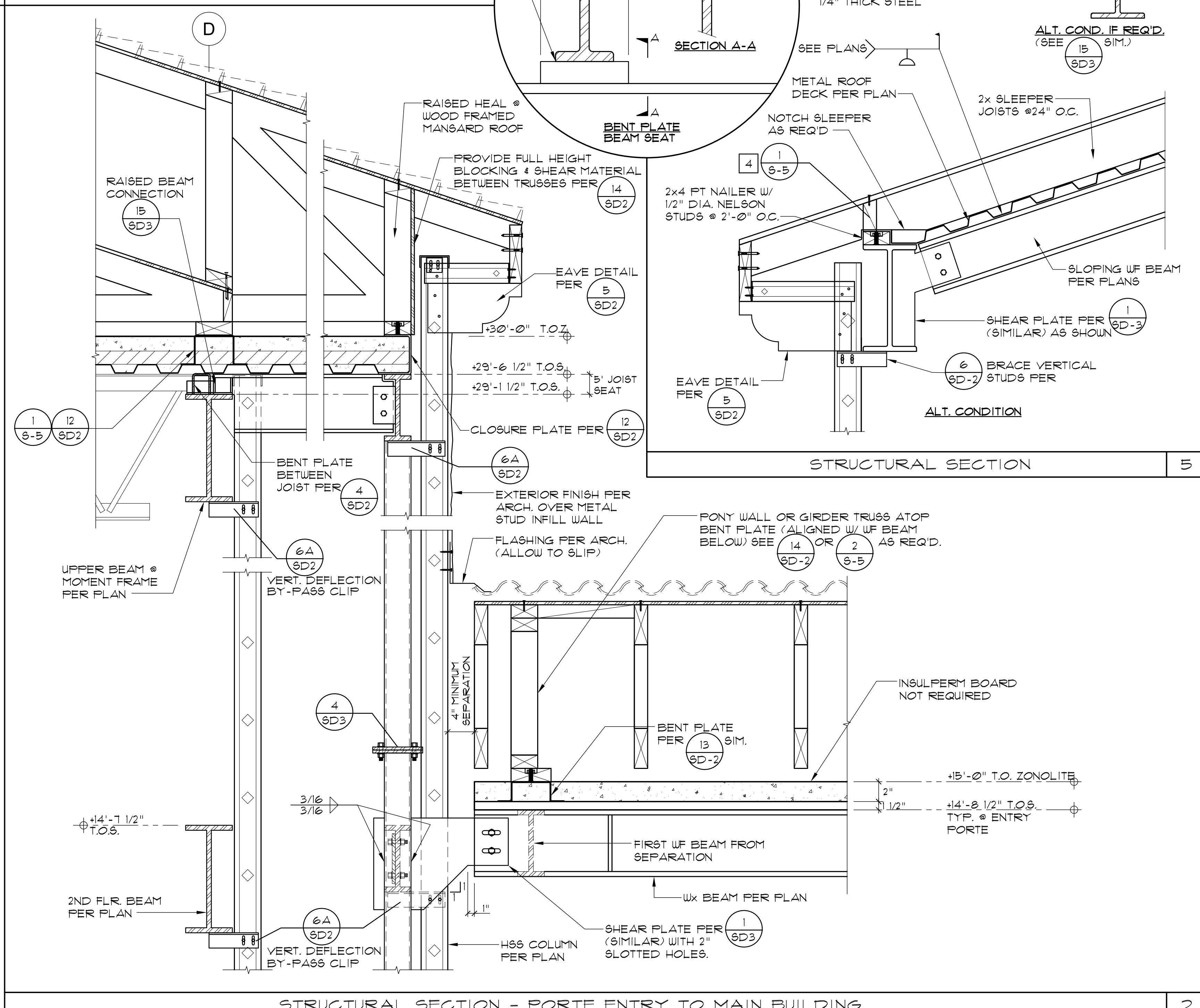
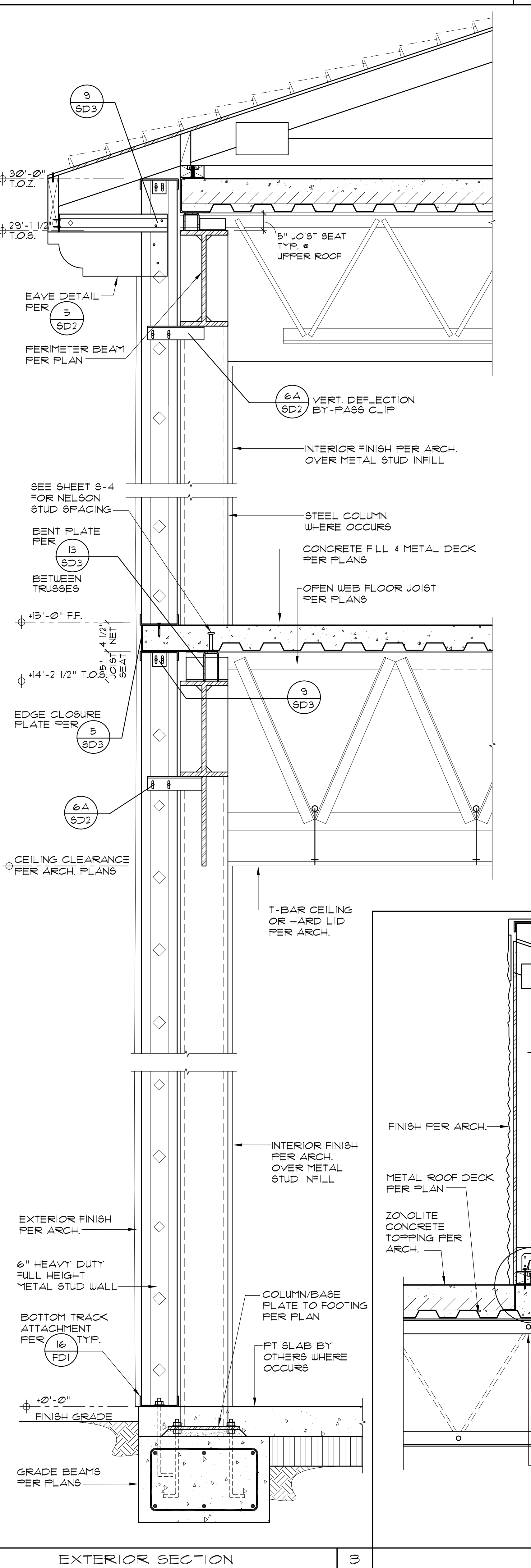
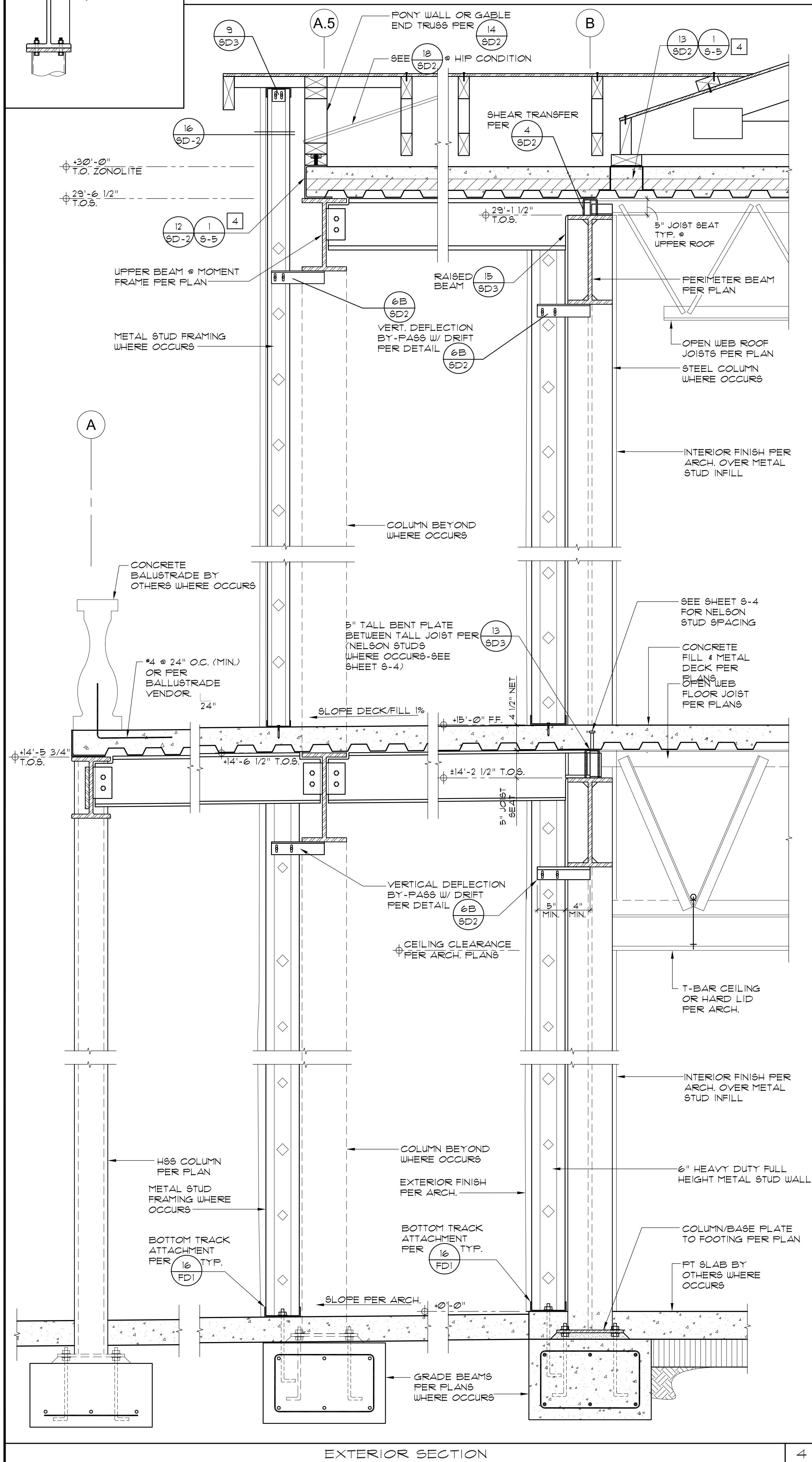
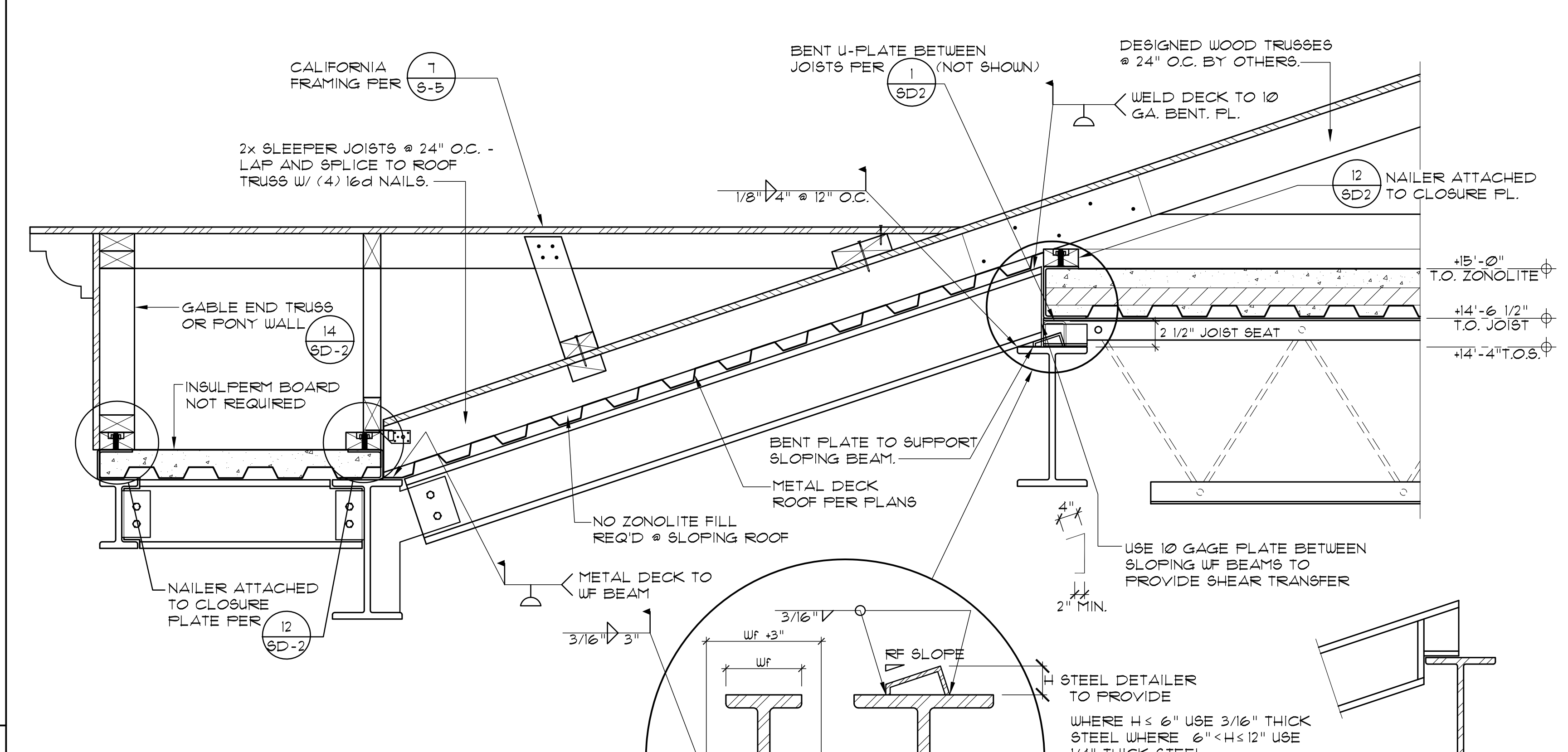
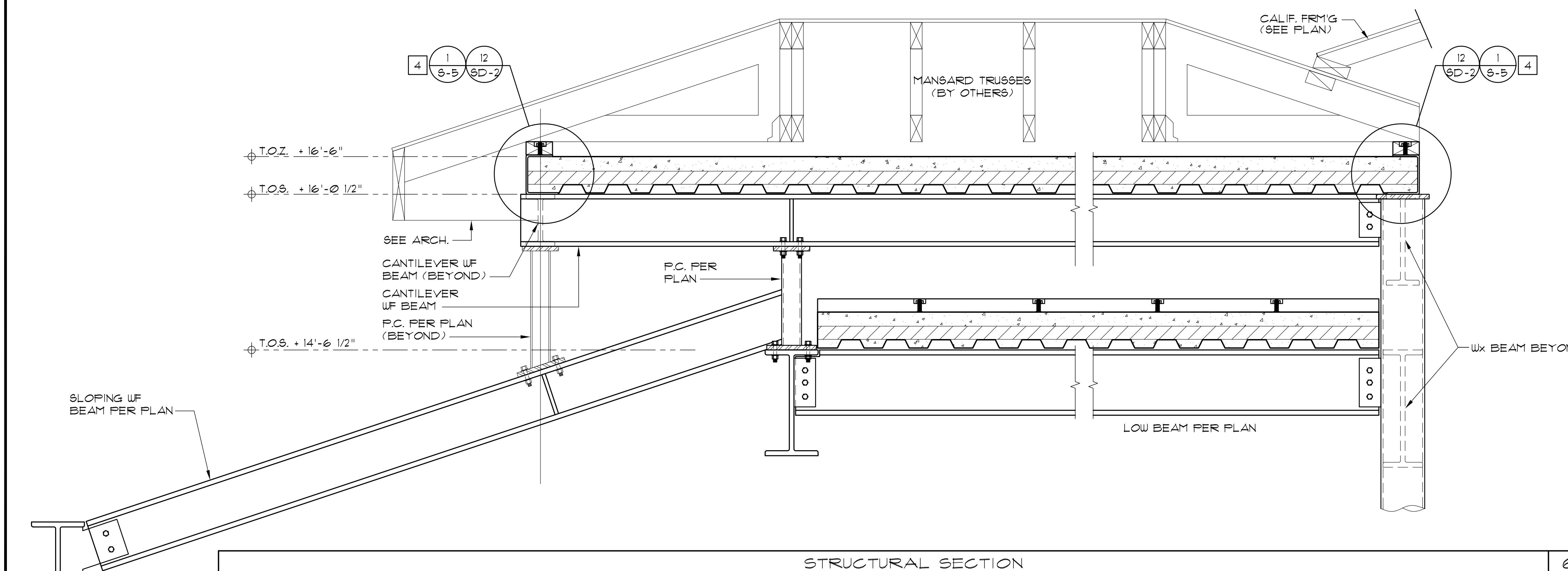
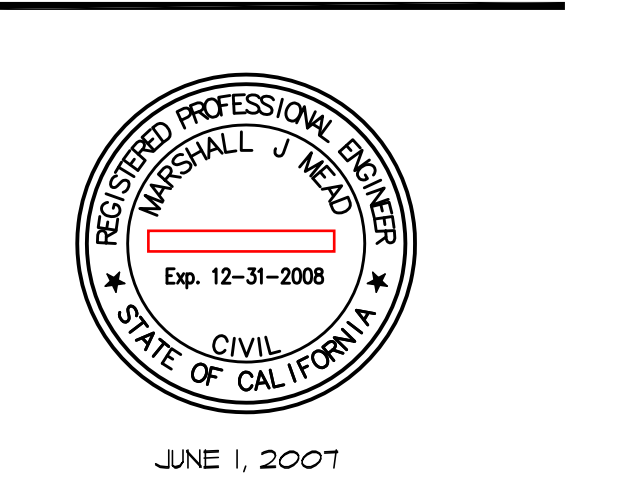


THIS DOCUMENT IS THE PROPERTY AND COPYRIGHT OF GCI ASSOCIATES, INC. AND SHALL NOT BE USED ON ANY OTHER WORK, BE REPRODUCED OR DISCLOSED TO OTHERS EXCEPT BY WRITTEN AUTHORIZATION FROM GCI ASSOCIATES.

NO.	DATE	REVISION
△	6/23/2005	CITY COMMENTS
△	6/1/2007	CLIENT REVISIONS FRAME AT GRID C
△		
△		
△		
△		
△		
△		
△		



VELLANO
CHINO HILLS, CALIFORNIA 91710
GOLF CLUBHOUSE



DO NOT SCALE THE DRAWINGS. THE ORIGINAL SHEET SIZE IS 36"x48". A COPY OF ANOTHER SIZE MEANS THE LISTED SCALES ARE NOT ACCURATE. THE DESIGNS CONTAINED ON THIS SHEET ARE COPYRIGHTED INSTRUMENTS OF SERVICE. ANY USE - OR - REUSE BY ANY METHOD, IN WHOLE - OR - IN PART WITHOUT THE WRITTEN CONSENT OF THE COPYRIGHT OWNER IS PROHIBITED.

GCI Job #: 2004-511(B1)
Date Released: 06-01-07
Original Issue date: 04-04-05
Project Manager: Marshall Mead
Drafting: Jayson Allam

Sheet Title:
(B1) Structural Sections
Sheet Number:
SD-1
9 OF 19