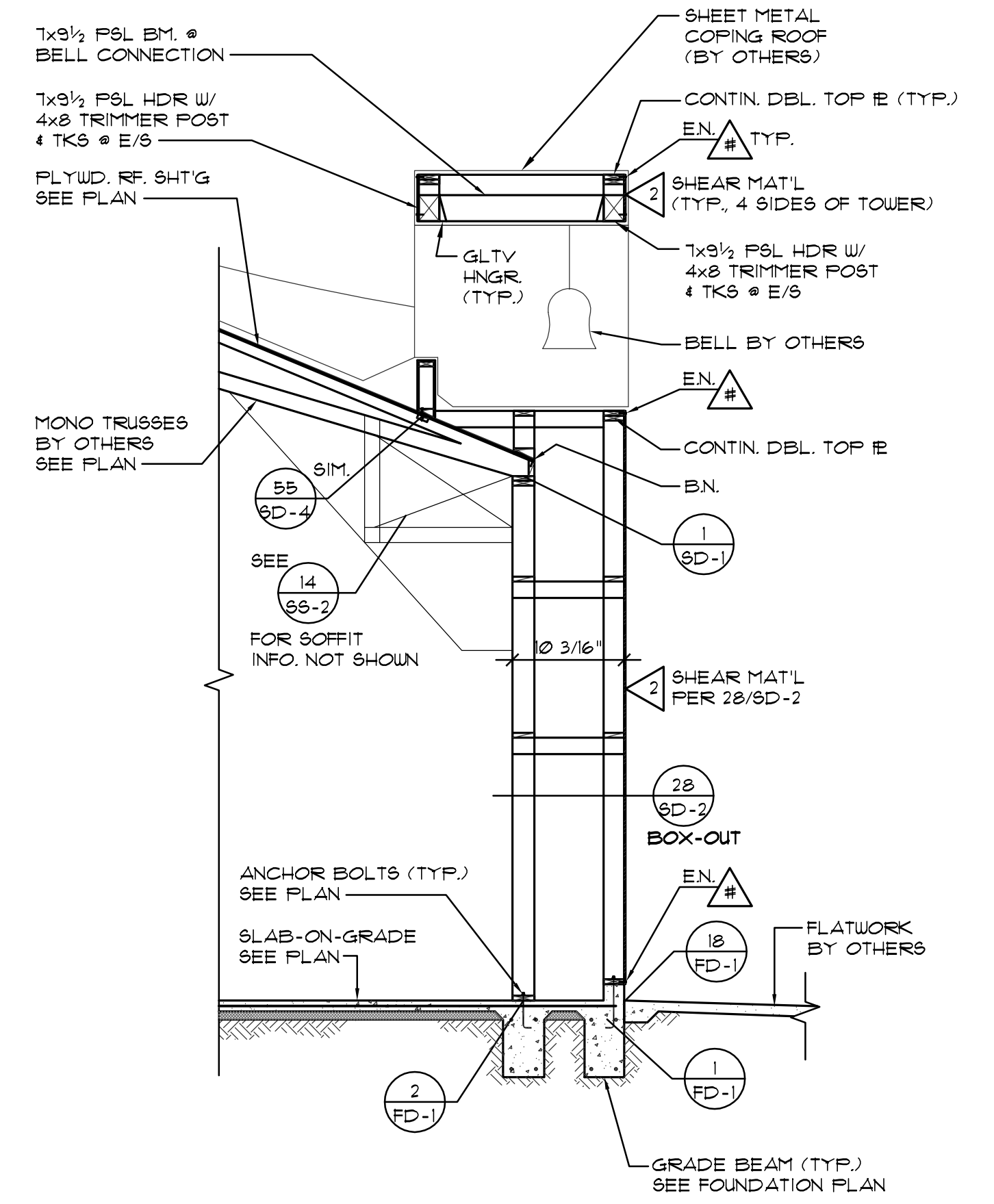


BUILDING SECTION

SCALE: 1/4" = 1'-0"

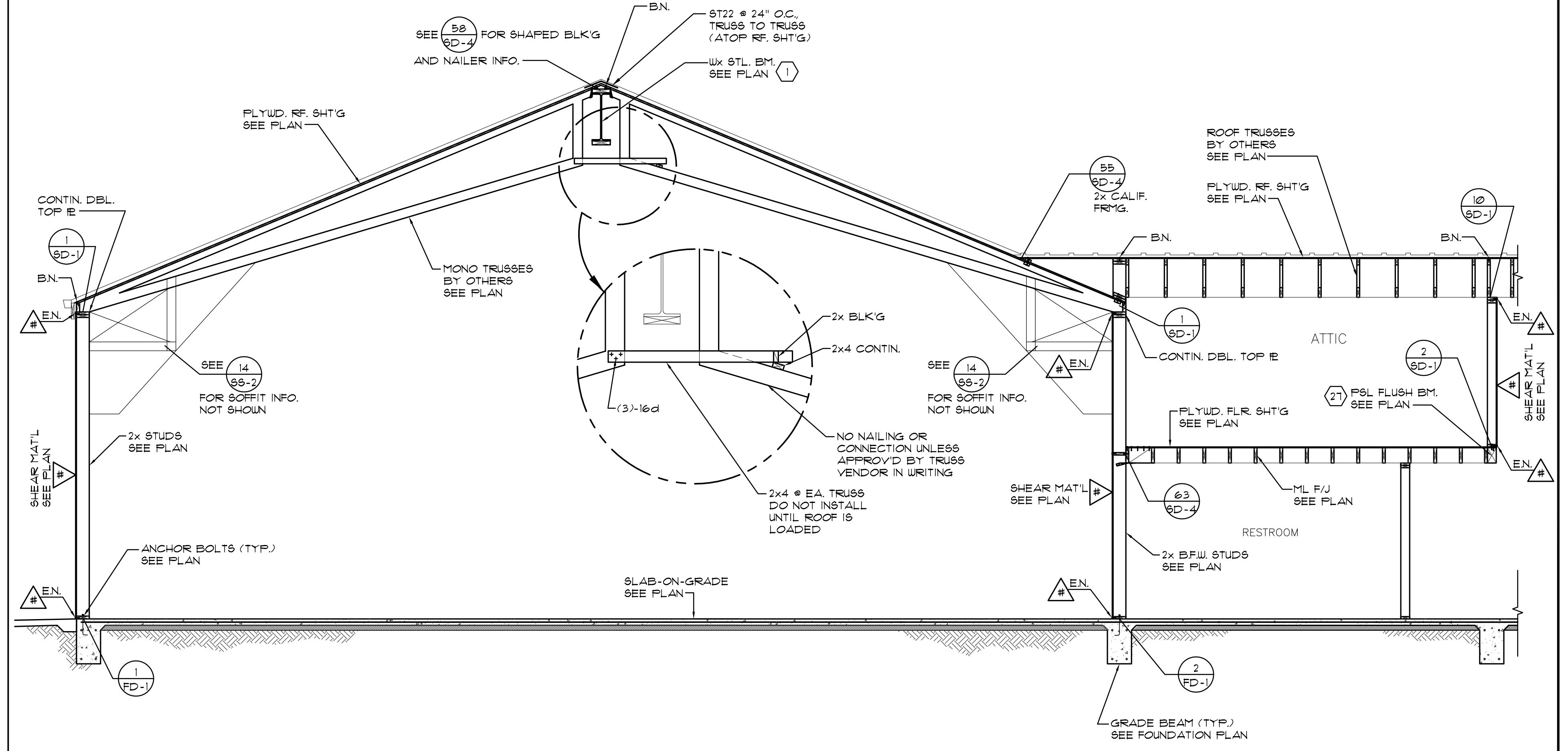
5



BUILDING SECTION

SCALE: 1/4" = 1'-0"

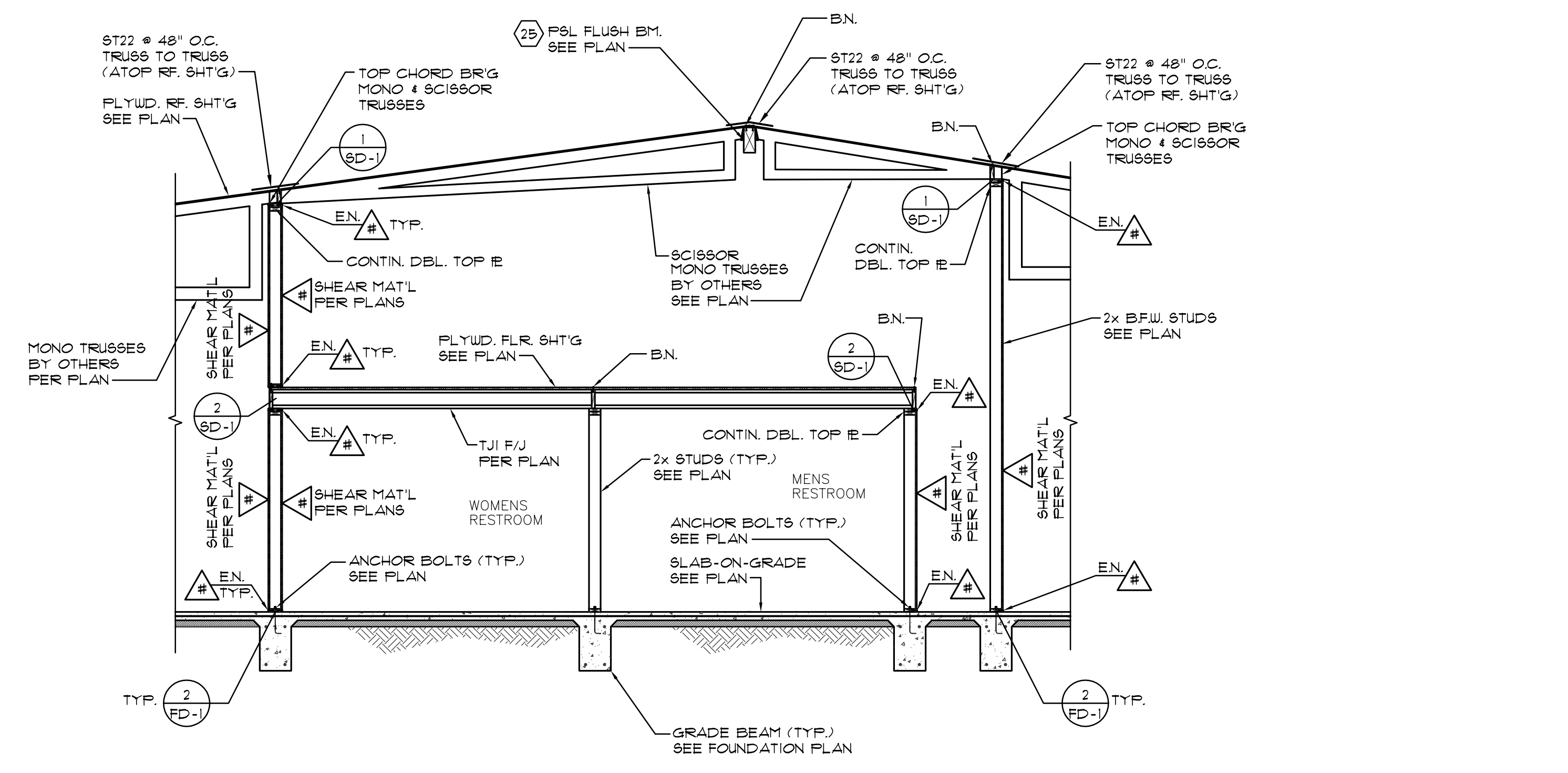
4



BUILDING SECTION

SCALE: 1/4" = 1'-0"

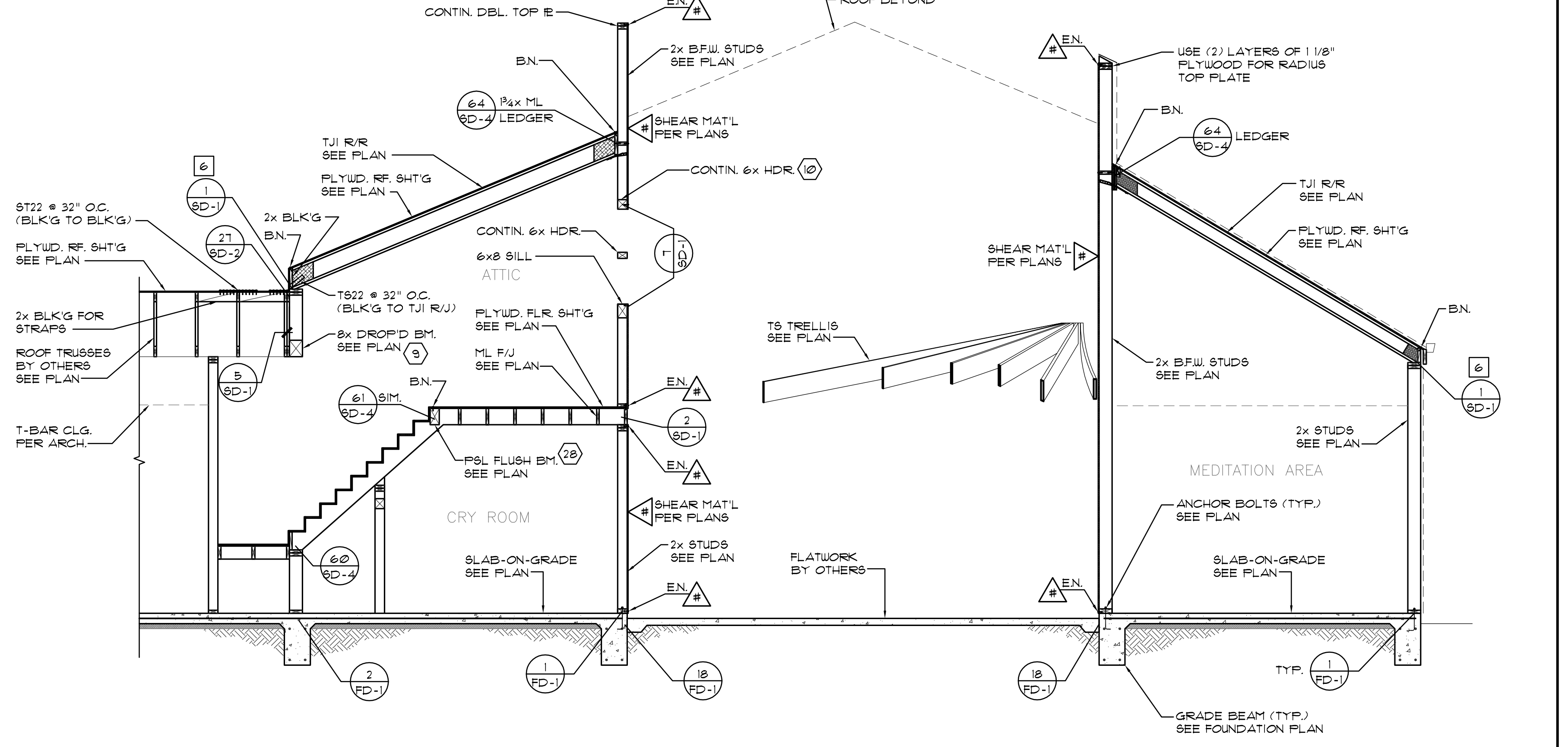
2



BUILDING SECTION

SCALE: 1/4" = 1'-0"

3



BUILDING SECTION

SCALE: 1/4" = 1'-0"

1

structural design & consulting

GC I

MARSHALL MEAD  
DATE: 05/29/07



NO.	DATE	REVISIONS

GOLGOTHA TRINITY BAPTIST CHURCH  
LONG BEACH, CA

GCI JOB # 2006 642

SHEET TITLE  
STRUCTURAL BUILDING SECTIONS

SS-1

SCALE AS SHOWN

DESIGNED M.M.

DRAWN S.S.