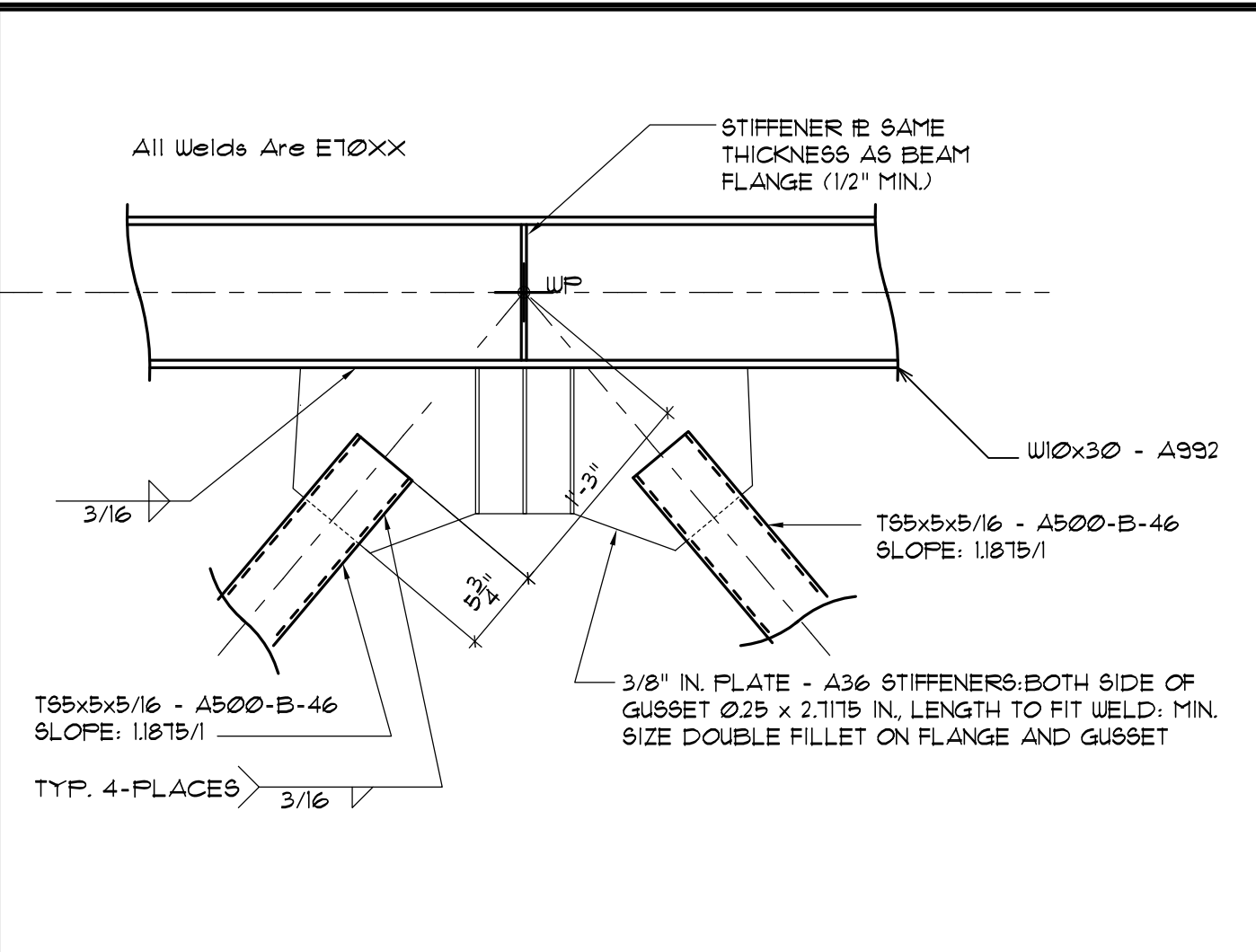


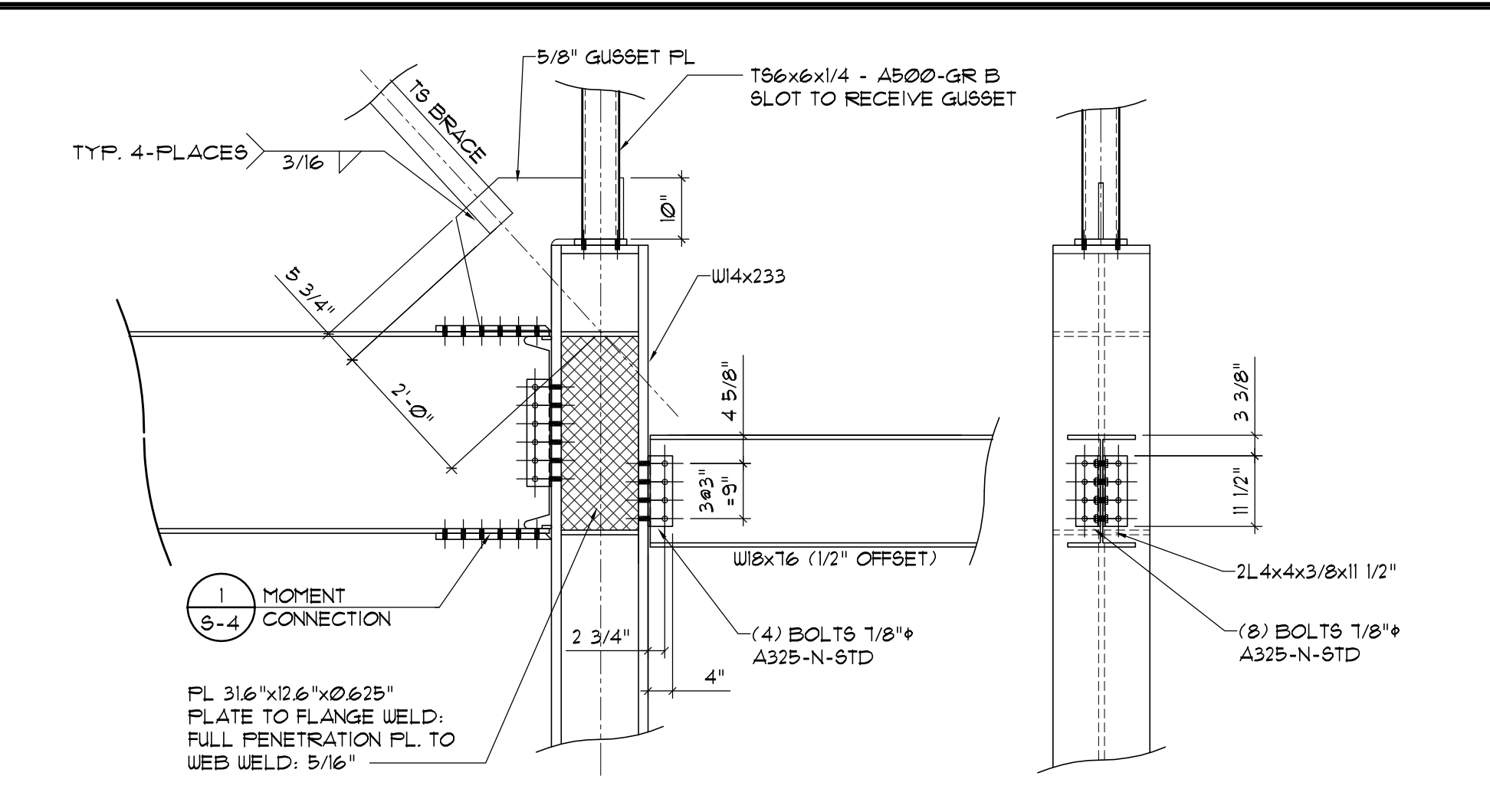
BRACED FRAME CONNECTION

4



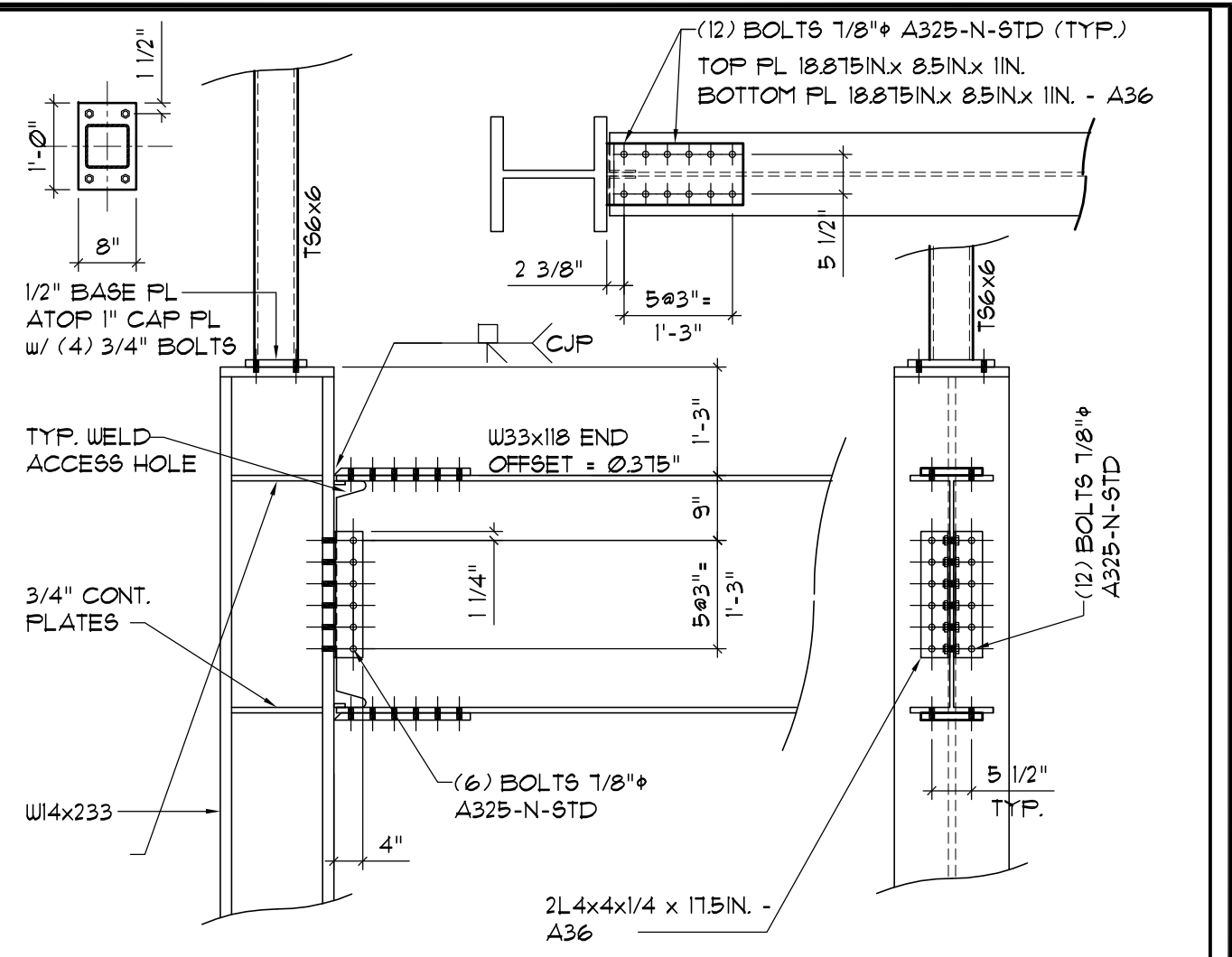
CHEVRON BRACED FRAME

3



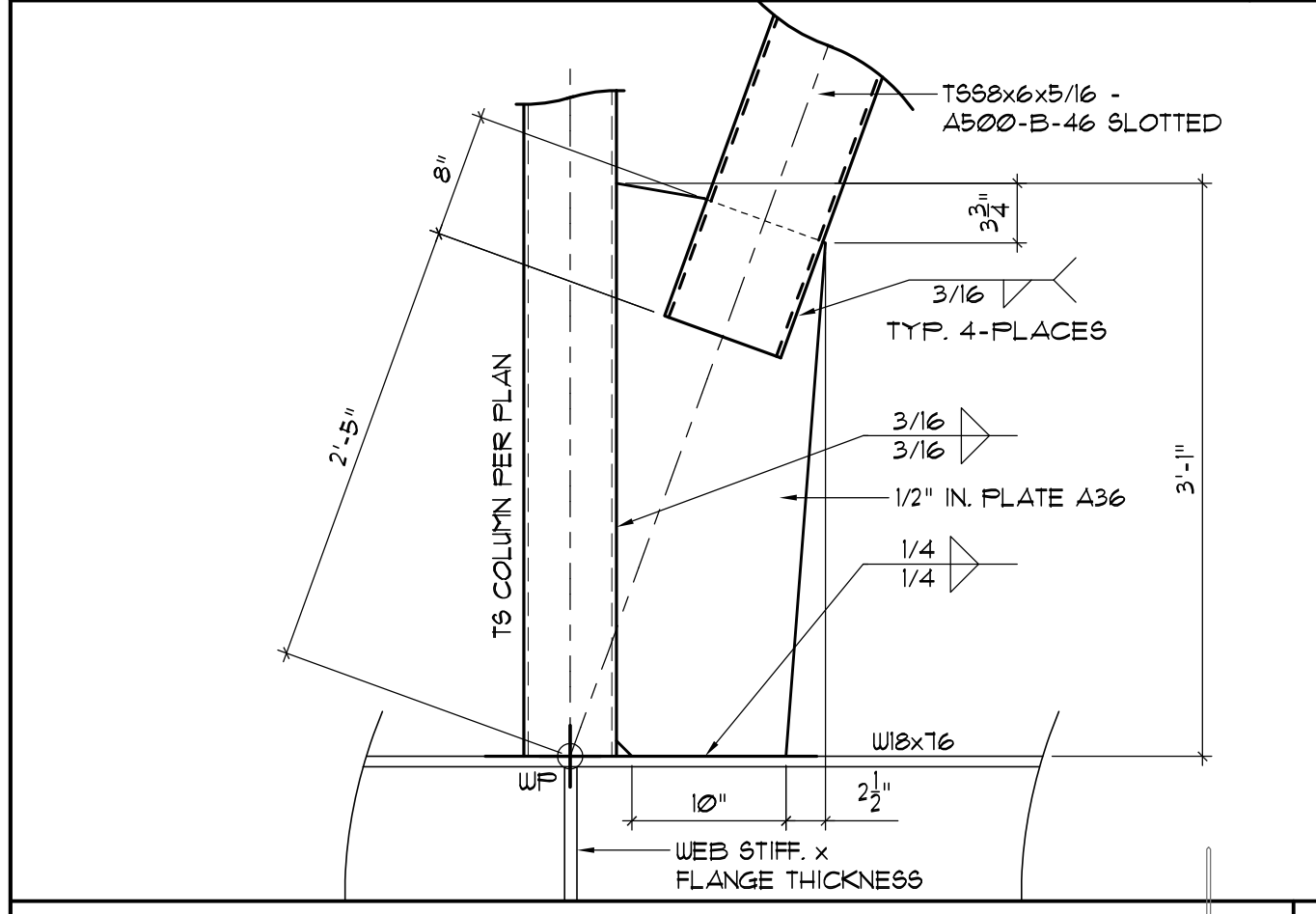
MOMENT CONNECTION / SHEAR CONNECTION

2



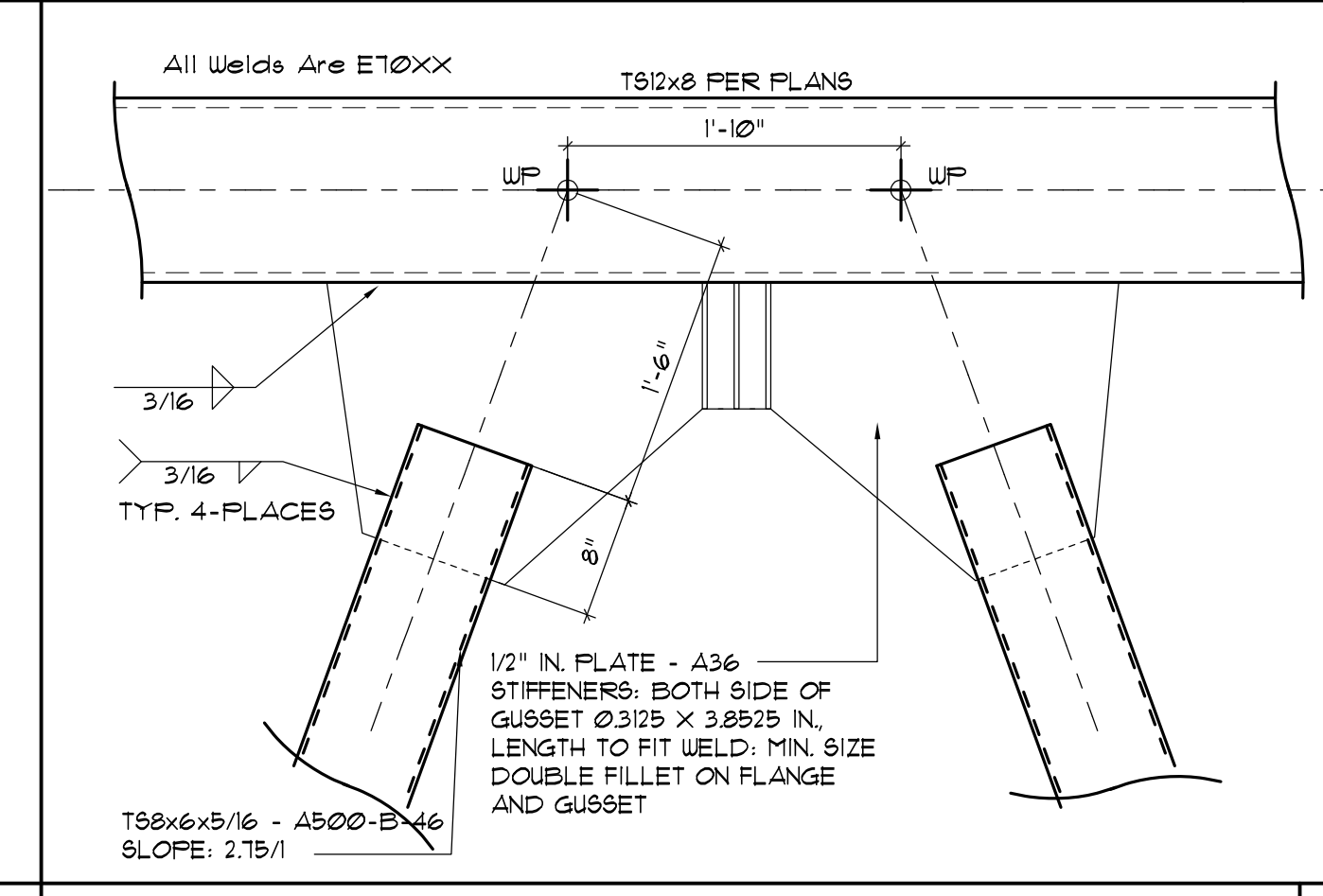
MOMENT CONNECTION

1



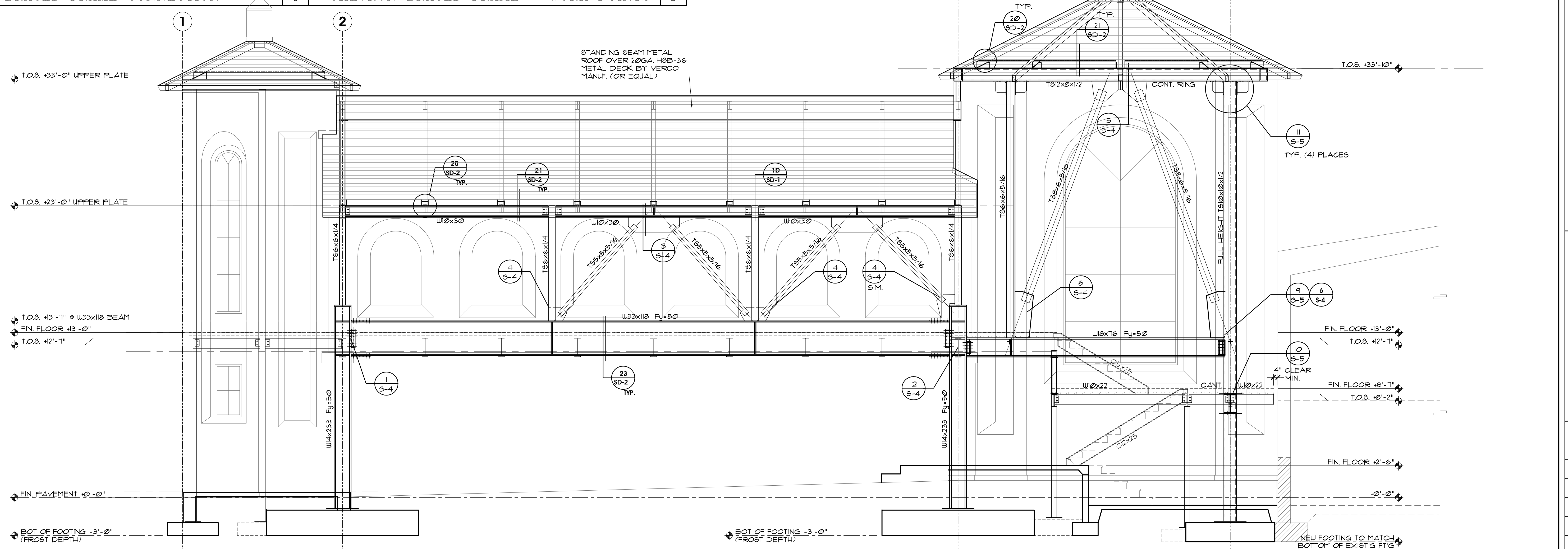
BRACED FRAME CONNECTION

6



CHEVRON BRACED FRAME - WORK POINTS

5



A. FRAME ELEVATION @ GRID A AND C SCALE 1/4" = 1'-0"

REVISIONS	BY

BREAD OF LIFE UNITED PENTECOSTAL CHURCH
 COMMERCE CITY, COLORADO 80022-1951

OWNER'S AGENT
STEEL FRAME ELEVATIONS
Date: 04/22/2009
Scale: 1/4"=1'-0"
Drawn: S.B.
GCI FN: 2006-659
Sheet
S-4
5 OF 9 'S' Sheets

G.C.I. ASSOCIATES INC. P.E.
 3831 Birch St., Newport Beach, CA 92660 (949) 756-1525