

NO.	DATE

structural
design &
consulting

ASSOCIATES, INC.

3881 BIRCH ST.
SUITE 200
DUBLIN, CA 94568
916-766-1555 FAX 916-766-0299

STRUCTURAL SECTIONS

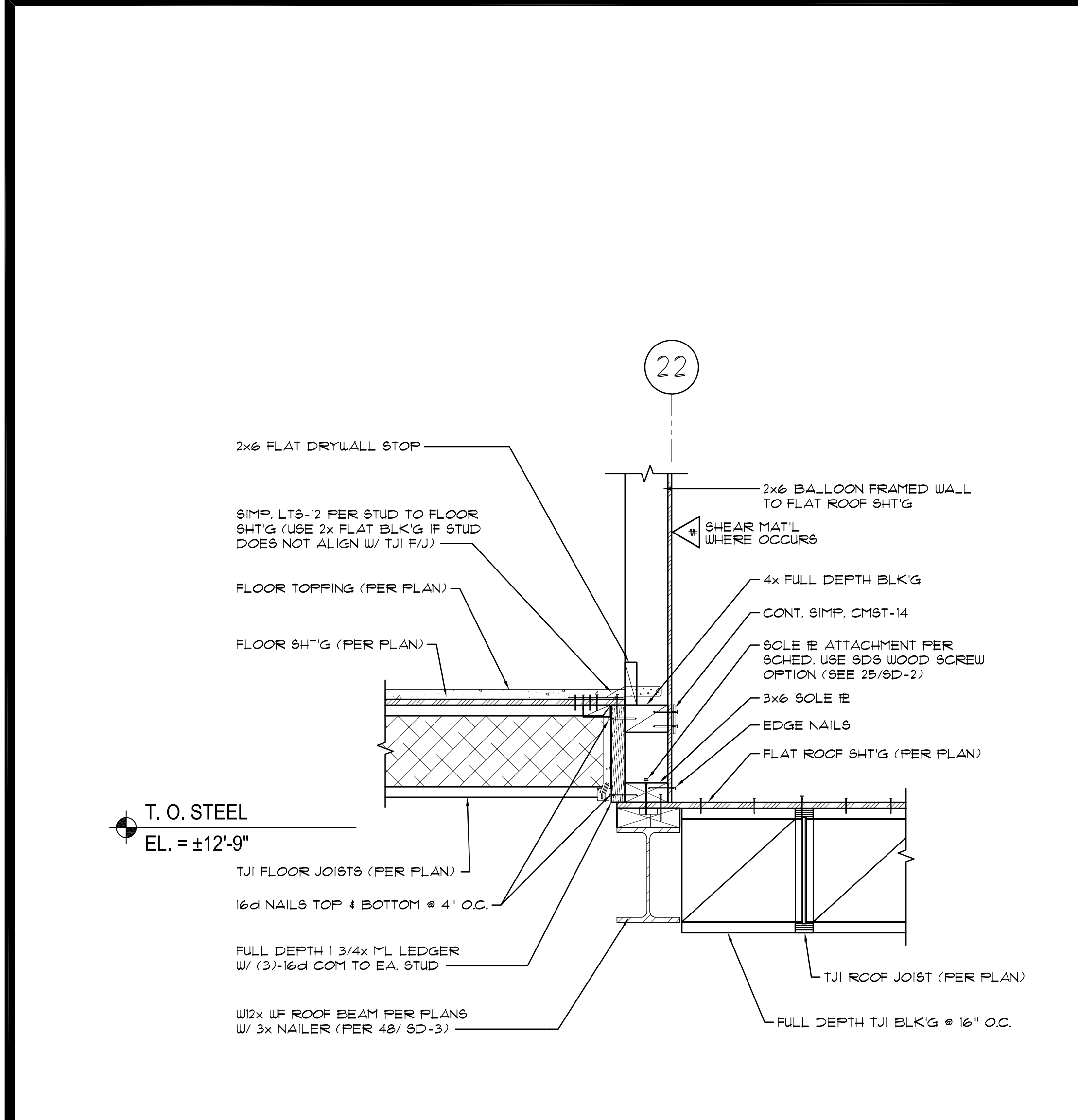
HILTON GARDEN INN
RIVERSIDE CA

REGISTERED PROFESSIONAL ENGINEER
MARSHALL J. HEDDER
Exp. 12-31-2008
CIVIL
STATE OF CALIFORNIA

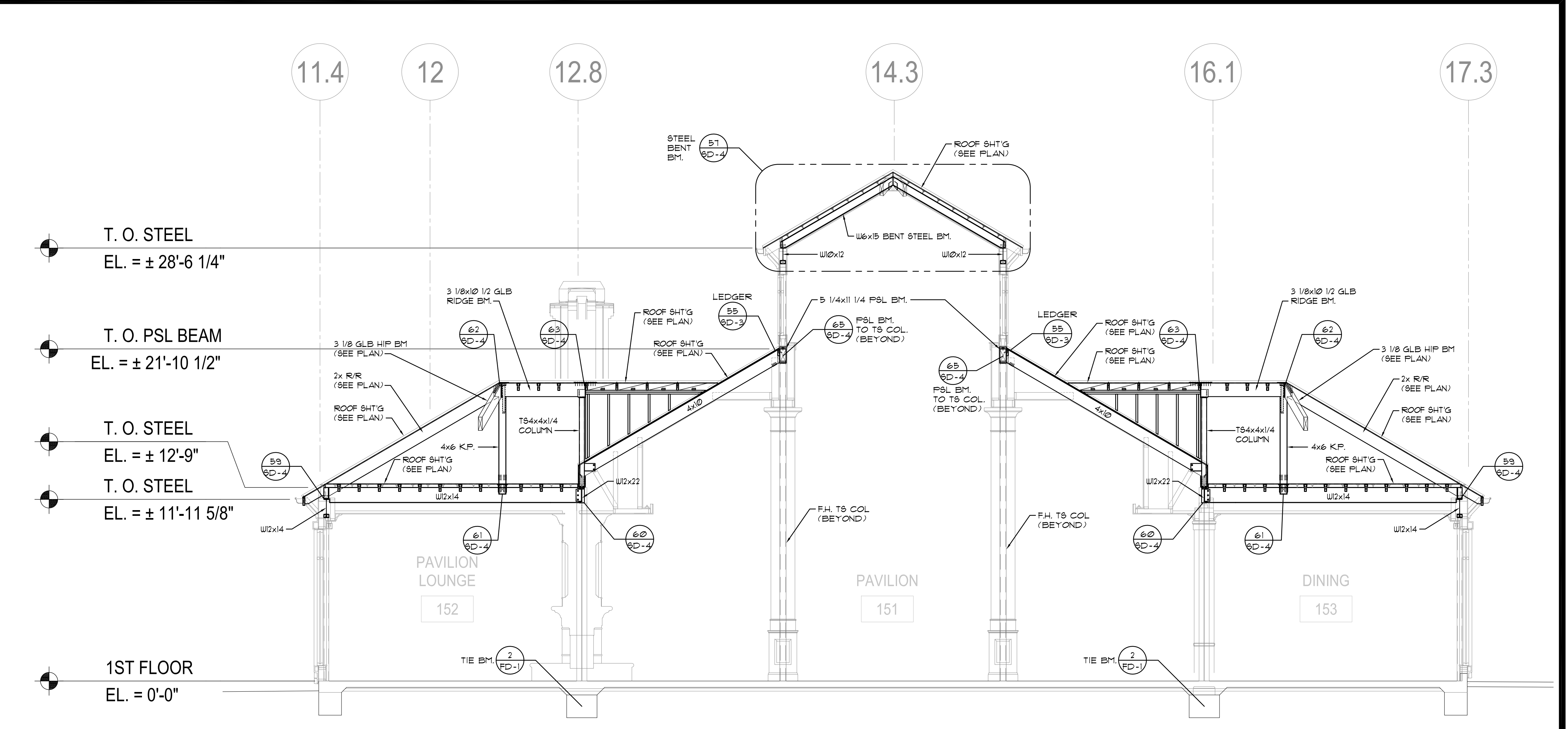
JULY 10, 2008

Date: 07-10-08
Drawn: S.B. ENG. M.M.
Project No.: 2007-722
Sheet No.: SS-1

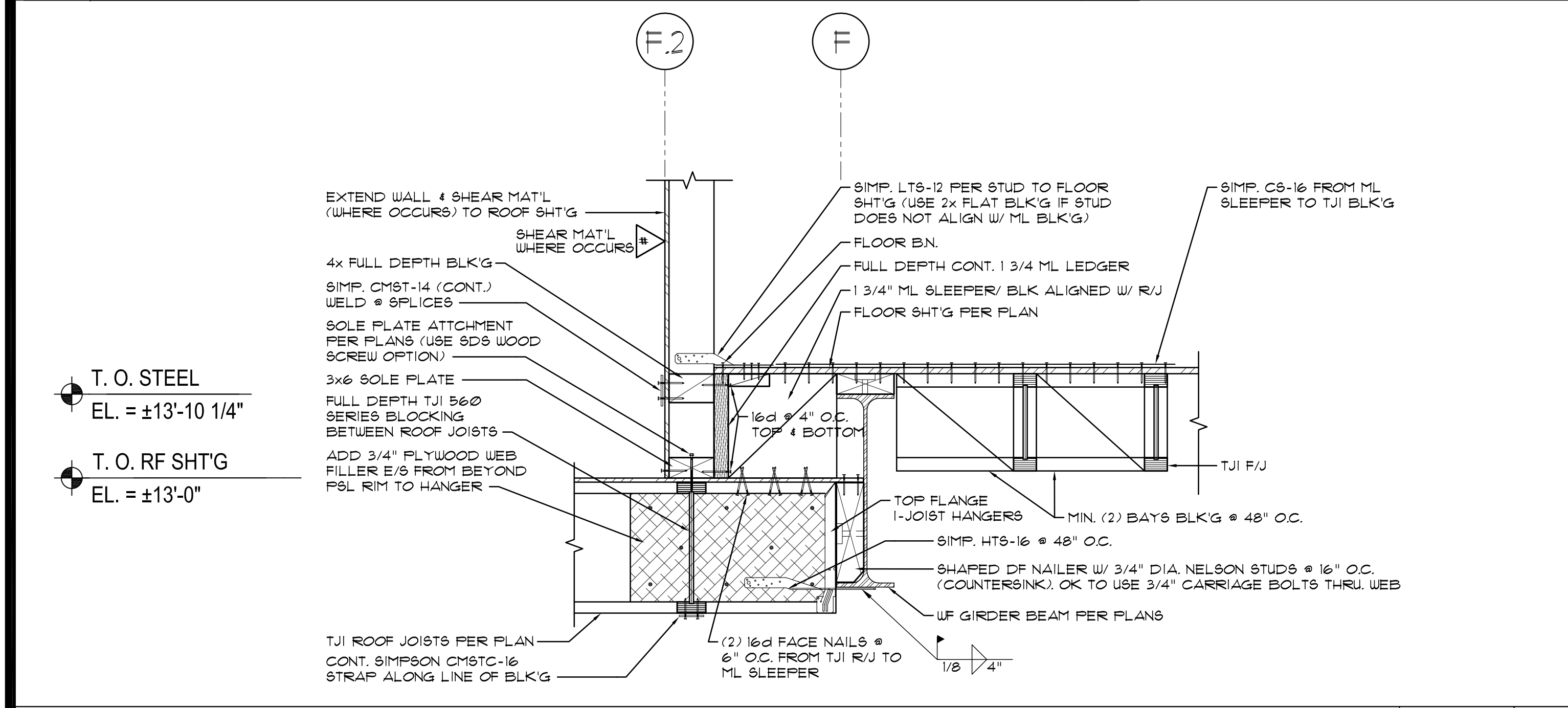
PROGRESS SET



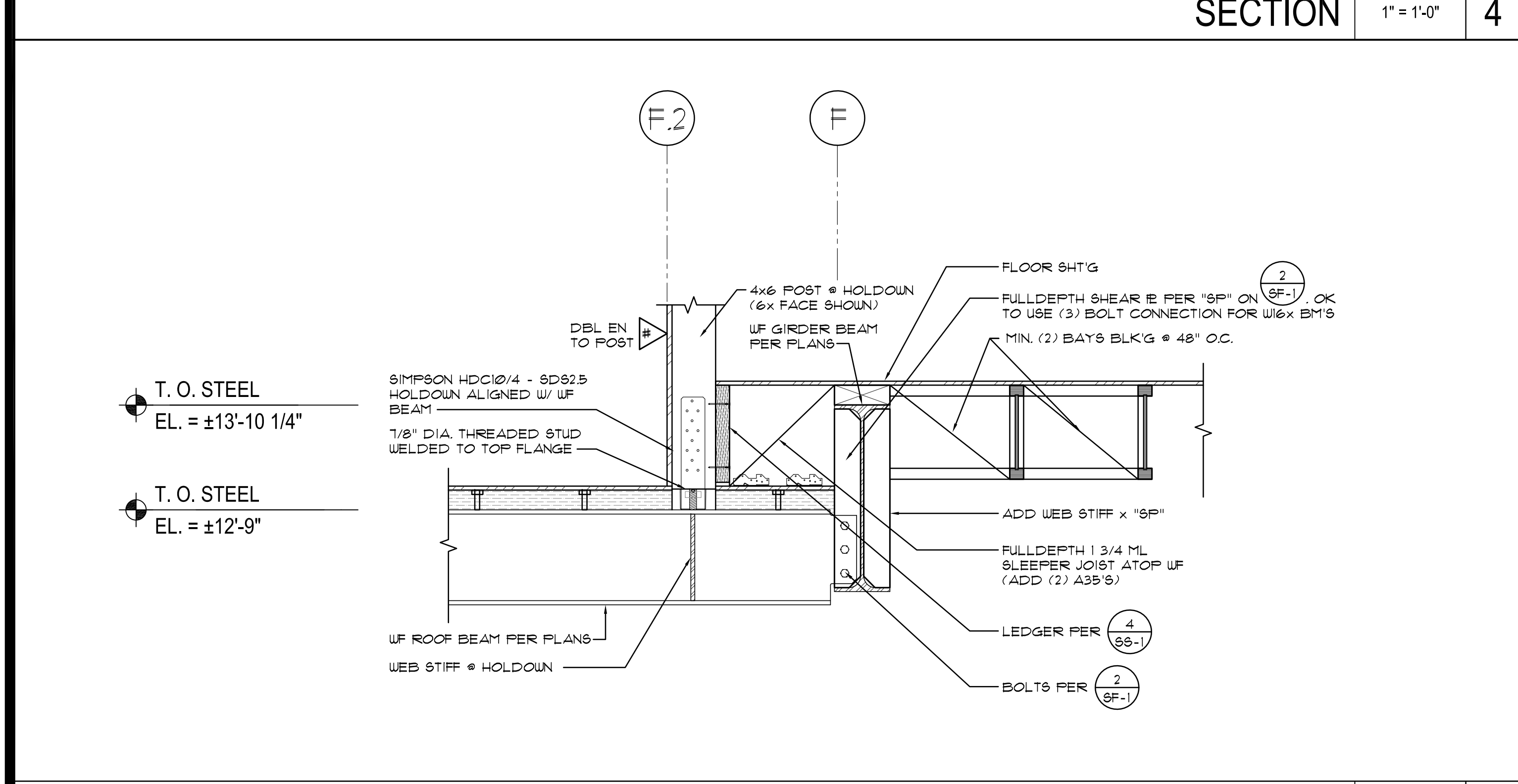
SECTION 1" = 1'-0" 5



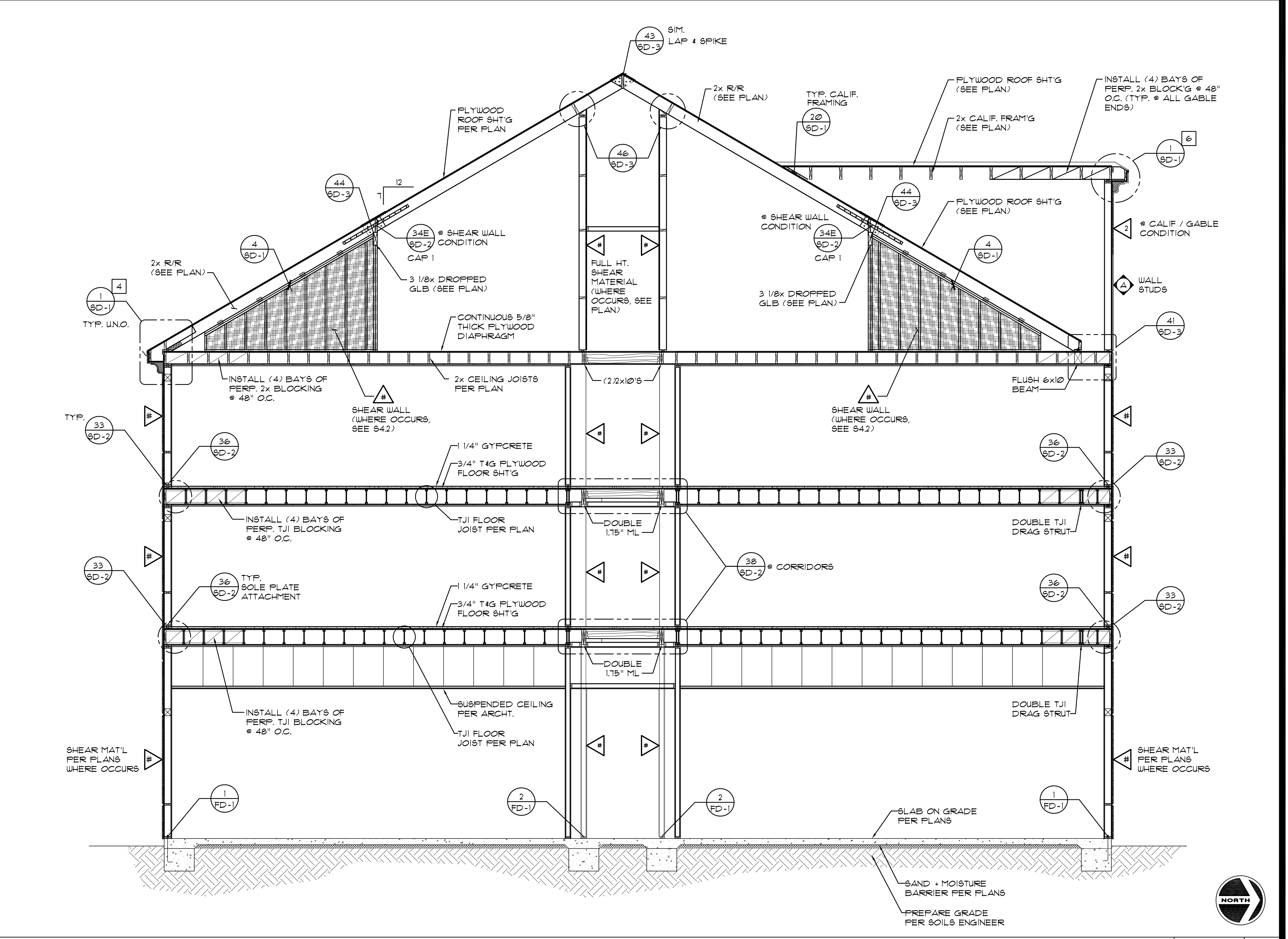
STRUCTURAL SECTION 1/4" = 1'-0" 2



SECTION 1" = 1'-0" 4



SECTION 1" = 1'-0" 3



STRUCTURAL SECTION 1/4" = 1'-0" 1