

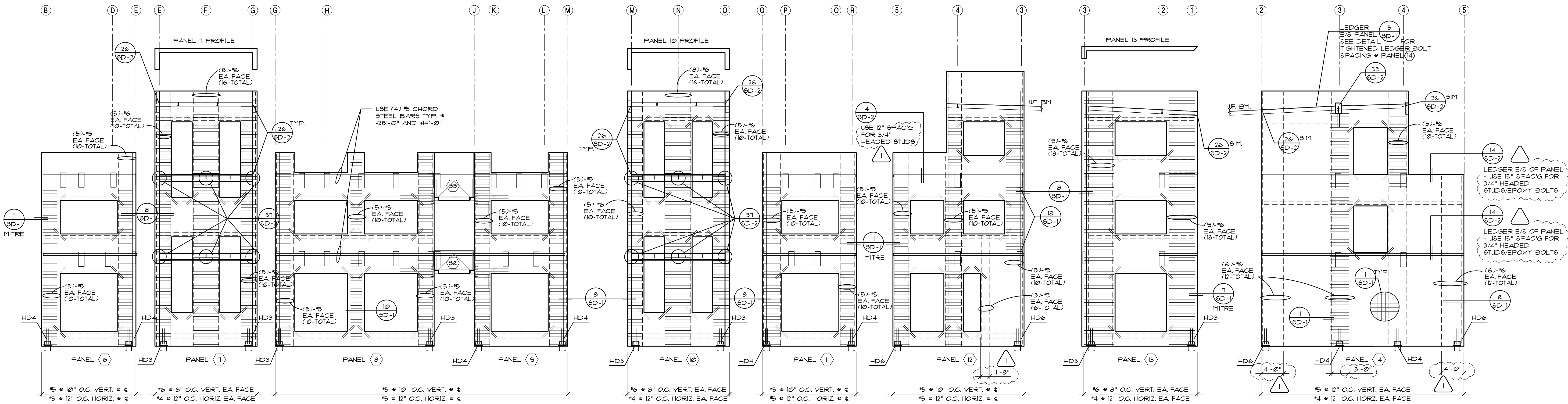
**PANEL ELEVATIONS - REBAR PLACEMENT**  
SCALE 1/8" = 1'-0"

**PANEL ELEVATION NOTES**

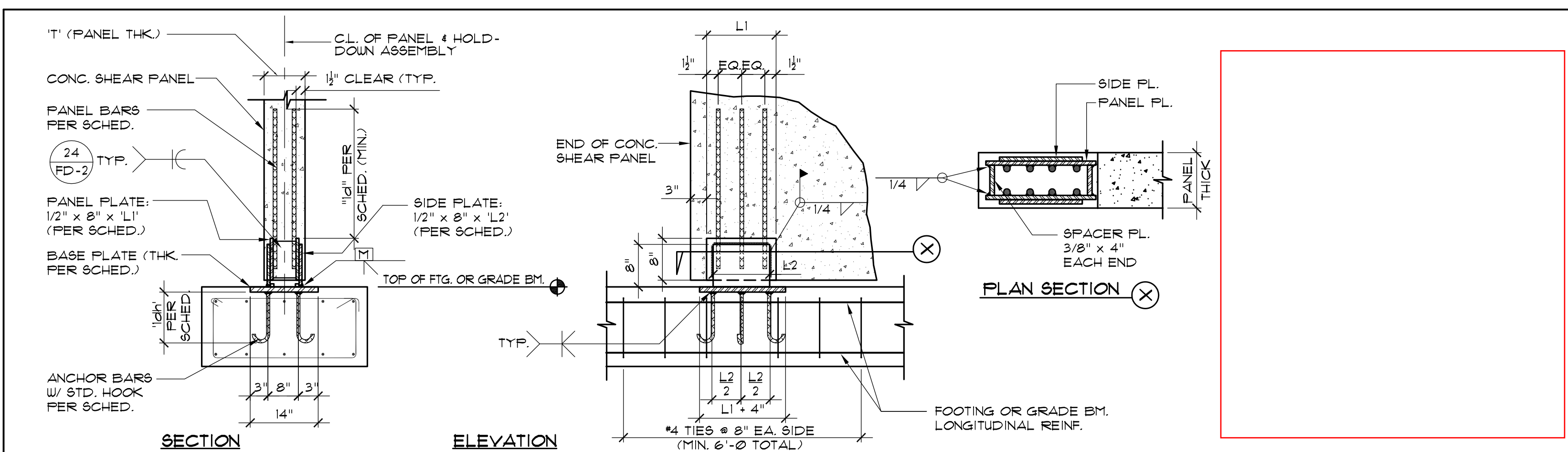
1. PANEL ELEVATIONS ARE DRAWN AS VIEWED FROM INSIDE OF BUILDING. DESIGNATED W/ (NO)
2. CAST PANELS WITH EXTERIOR FACE DOWN.
3. FOR SPECIAL PANEL DETAILING, NOTCHES, TEXTURING, AND REVEALS SEE ARCHITECTURAL DRAWINGS.
4. SEE DETAILS AND SHOP DRAWINGS FOR PANELS, ANCHORS, MISC. SLEEVES, AND INSERTS.
5. ALL REINFORCING SHOWN ON THESE PANEL ELEVATIONS IS IN ADDITION TO THE TYP. PANEL REINFORCING. (V) VERTICAL PANEL REINFORCING SHOWN IS INTENDED TO BE IN LIEU OF THE TYP. REINFORCING IN AREAS WHERE NO REINFORCING IS INDICATED USE TYP. REINFORCING PER DETAILS (SD-1) (SD-2)
6. ALL WALL PANEL DIMENSIONS SHOWN ON THESE DRAWINGS ARE GIVEN TO ASSIST THE CONTRACTOR ONLY. IT IS THE CONTRACTOR'S RESPONSIBILITY TO CHECK REVEALS AND COORDINATE PANEL DIMENSIONS WITH ARCHITECTURAL PLANS AND ELEVATIONS BEFORE CONSTRUCTION AND NOTIFY THE ARCHITECT AND ENGINEER IMMEDIATELY OF ANY DISCREPANCIES.
7. SEE "REINFORCING STEEL" NOTES FOR INFORMATION PERTAINING TO WELDING OF REINFORCING.
8. AS AN ALTERNATE, CHORD REINFORCEMENT CAN BE A106 60 KSI REBAR INSTEAD OF A615 60 KSI REBAR.
9. CONTINUOUS INSPECTION OF PANEL CONC. IS REQUIRED BY A DEPUTY INSPECTOR.
10. SEE ARCHITECTURAL FOR ALL REVEAL LOCATIONS.
11. SEE DETAIL (SD-1) FOR ADDITIONAL REBARS IN PILASTER'S MARKED ON FOUNDATION.
12. PROVIDE ALL EMBEDS AS SHOWN ON ROOF AND MEZZANINE PLANS AND DETAILS. ALL EMBEDS ARE NOT SHOWN ON ELEVATIONS. COORDINATE LOCATION OF EMBEDS W/ FLOOR AND ROOF PLANS AS WELL AS ARCHITECTURAL DRAWINGS.
13. OPENING DIMENSIONS NOTED ON PANEL ELEVATIONS ALLOW FOR DOOR JAMB ASSEMBLY. THE DIMENSION NOTED IS THE ROUGH OPENING. VERIFY WITH MANUFACTURER.
14. CONTRACTOR SHALL SUBMIT SHOP DUGS TO INDICATE A SPECIAL ERECTION REINFORCING STRONG BACK EMBEDS FOR LIFTING. OTHER MISC. HARDWARE PRIOR TO PLACING CONC.
15. CONTRACTOR SHALL SUBMIT CALCULATIONS BY A LICENSED ENGINEER, SUBSTANTIATING ADEQUACY OF LIFT POINTS, LIFT REINFORCING & OTHER ERECTION MECHANISMS.
16. ALL SUB CONTRACTORS MUST COORDINATE THEIR WORK W/ CONC. PANEL SUB CONTRACTOR & PROVIDE BLOCKOUTS WHERE REQUIRED ON PANELS PRIOR TO CONC. PLACEMENT.
17. CONTRACTOR SHALL USE AN APPROVED HIGH-EARLY CONCRETE STRENGTH DESIGN TO REACH FULL CONCRETE DESIGN STRENGTH WHICH PROVIDES FOR LIFTING WITHIN FIVE (5) DAYS OF PLACING CONCRETE.
18. PRIOR TO LIFTING CONCRETE PANELS, CONTRACTOR SHALL TAKE CYLINDER SAMPLES AND PROVIDE TEST RESULTS IN A TIMELY FASHION TO THE STRUCTURAL ENGINEER FOR VERIFICATION.
19. ALL WORK AND TESTING SHALL BE PERFORMED IN ACCORDANCE WITH INDUSTRY STANDARDS AND TOLERANCES.
20. ALL CHORD STEEL NOTED ON PANEL ELEVATION SHALL BE CONTINUOUS AND WITHOUT LAPS FROM PANEL EDGE TO PANEL EDGE.
21. SEE 2/SD-1 & 6/SD-1 FOR EMBEDS AT JOIST & GIRDER CONNECTIONS.
22. CONTRACTOR SHOULD VERIFY EXACT HEIGHTS WITH FINAL GRADING LEVELS PRIOR TO CONSTRUCTION.
23. T.O.T. TOP OF STEEL LEDGER
24. SEE DETAIL (SD-2) FOR EFFECTIVE PANEL THICKNESS AND REBAR PLACEMENT AT CENTER OF PANEL AND AT REBAR PLACED AT EACH FACE OF PANEL.
25. SCOFFER LOCATIONS TO BE VERIFIED WITH ARCH. DUGS. FOR REINF. SEE DET. (4) (SD-1)

**PANEL ELEVATION NOTES**

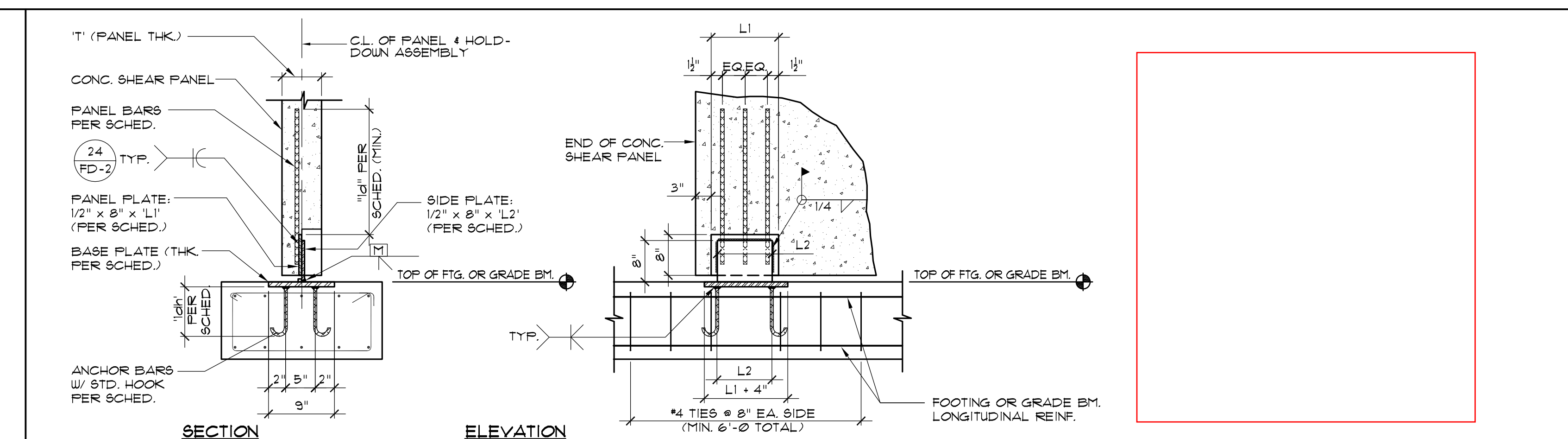
- T.O.L. = TOP OF STEEL LEDGER
- T.O.L. = H.P. = TOP OF STEEL = HIGH POINT
- T.O.L. = L.P. = TOP OF STEEL = LOW POINT
- T.O.L. = P.J. = TOP OF STEEL = PANEL JOINT



**PANEL ELEVATIONS - REBAR PLACEMENT**  
SCALE 1/8" = 1'-0"



HOLD-DOWN ASSEMBLY TYPE II



HOLD-DOWN ASSEMBLY TYPE I

**GCI ASSOCIATES, INC.**  
structural design & consulting  
3831 BIRCH ST.  
NEWPORT BEACH  
CALIFORNIA 92660  
PH. 949-756-1525  
FAX 949-756-0208

SARTORI OFFICE CONDOMINIUMS  
CITY OF TORRANCE, CA

PANEL ELEVATIONS - REBAR PLACEMENT

ENGINEER'S SEAL  
REGISTERED PROFESSIONAL ENGINEER  
CIVIL  
STATE OF CALIFORNIA  
Exp. 12-31-2010  
FEBRUARY 4, 2009

D	A	T	E
GCI JOB NO.	2007-728		
BID SET			
PLAN CHECK	02/04/09		
PERMIT SET			
PRINT DATE	02/04/09		
1ST. PLAN CHECK CORRECTIONS	02/04/09		

728-SP-1

**SP-1**  
S H E E T