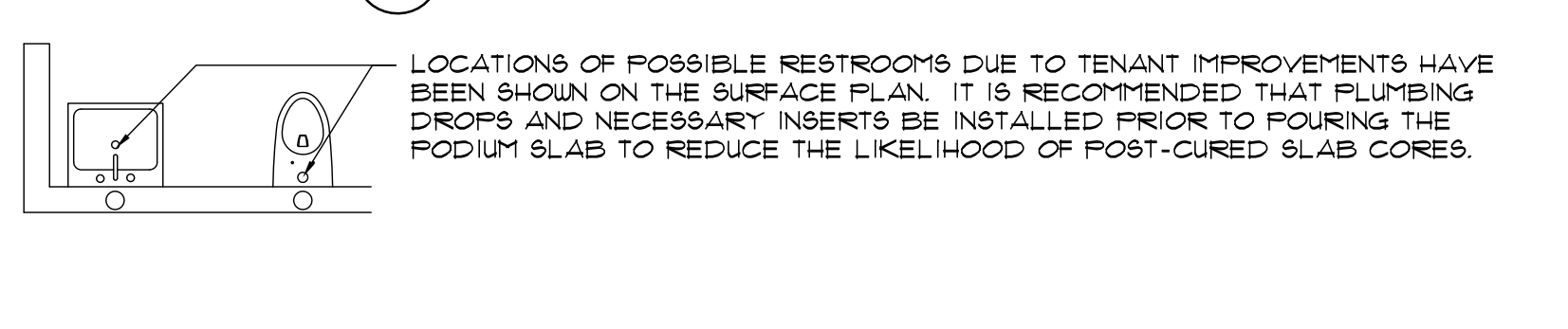
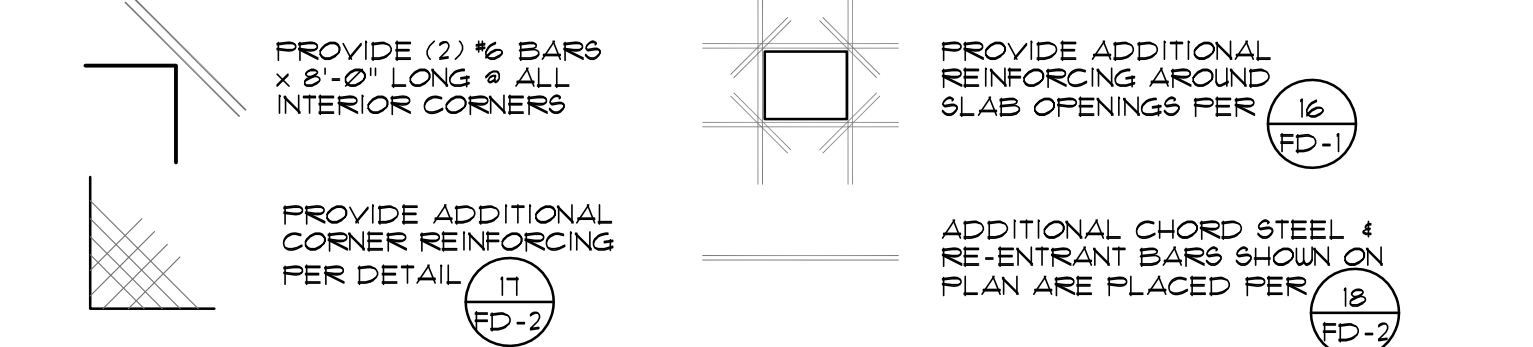
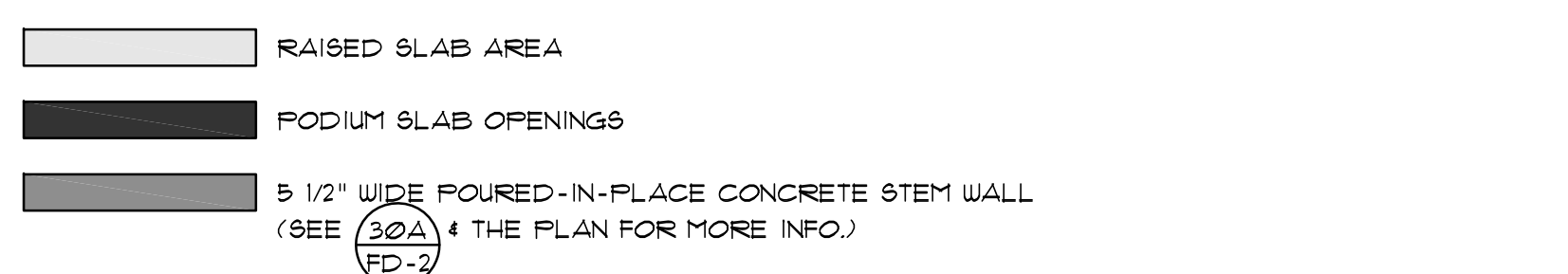


- FOUNDATION/SLAB NOTES:**
- PODIUM SLAB SHALL BE 12" THICK (F_c=4,000 PSI TYPE II) WITH REINFORCING AS SHOWN ON THIS PLAN. SEE SHEETS 5-21 AND 5-22 FOR COLUMN STRIP AND MIDDLE STRIP STEEL.
 - REFER TO SOILS REPORT FOR MORE INFORMATION NOT SHOWN.
 - VERIFY ALL DIMENSIONS WITH ARCHITECTURAL DRAWINGS.
 - ALL HOLD-DOWNS, EMBEDS, ETC. MUST BE TIED IN PLACE PRIOR TO FOUNDATION INSPECTION. USE DIMENSIONS TO HDs FOR UPLIFT TO 4" OF STRAPS, TO HD OR HTT TO 4" OF EMBED'D BOLT PER MANUFACTURER'S SPECIFICATIONS.
 - REINFORCING BARS SPECIFIED ON THIS PLAN ARE IN ADDITION TO BARS SPECIFIED ON SHEETS 5-21 AND 5-22.
 - GENERAL CONTRACTOR TO PROCEED WITH CONCRETE WORK ON HIS OWN VOLITION WITHOUT FIRST OBTAINING A CONCEPTUAL WRITTEN APPROVAL AT HIS OWN EXPENSE FROM THE PROJECT SOILS ENGINEER FOR FOUNDATION PLAN AND DETAILS. CONTRACTOR SHALL PROVIDE A COPY TO THE PROJECT ARCHITECT AND STRUCTURAL ENGINEER.

CONSTRUCTION NOTE:
 THE ENGINEER ASSUMES RESPONSIBILITY FOR CONSTRUCTION BASED UPON THE LATEST DRAWING REVISIONS AND ASSUMES NO RESPONSIBILITY FOR CONTRACT BID'S OR PROJECT CONSTRUCTION MADE FROM DRAWINGS WHICH DO NOT REFLECT BUILDING DEPARTMENT CORRECTIONS AND A CONCURRENT ENGINEERING CHECK. ANY DISCREPANCIES BETWEEN THE ARCHITECTURAL AND STRUCTURAL ENGINEERING DRAWINGS MUST BE BROUGHT TO THE ATTENTION OF BOTH OFFICES PRIOR TO STARTING CONSTRUCTION.
NOTE:
 REFER TO ARCHITECTURAL DRAWINGS FOR PLATE HEIGHTS BEFORE PURCHASING SHEARMAX PANELS. INSPECTION AND WRITTEN APPROVAL BY A CITY INSPECTOR SHALL BE OBTAINED PRIOR TO PLACEMENT OF ANY CONCRETE UNLESS OTHERWISE APPROVED BY THE CITY. HOLD DOWN ANCHORS MUST BE TIED IN PLACE PRIOR TO FOUNDATION INSPECTION.



- STRUCTURAL STEEL (SEE SGN FOR MORE INFORMATION)**
- STRUCTURAL STEEL PLATES SHALL CONFORM TO ASTM A-36
 - WIDE FLANGE BEAMS & COLUMNS SHALL CONFORM TO ASTM GRADE 50 OR A992 (F_y=50 ksi)
 - STRUCTURAL STEEL PIPE SHALL CONFORM TO ASTM A-53, GRADE "B"
 - STRUCTURAL STEEL TUBE SHALL CONFORM TO ASTM A-501, GRADE "B"

SIMPSON HOLD-DOWN SCHEDULE		200T C.B.C.		
#	PREFERRED HOLD-DOWN	ACCEPTABLE ALTERNATES	MAX. UPLIFT CAPACITY	15% UPLIFT CAPACITY
1	HDU2 - SD825	N/A	2675*	1968*
2	HDU4 - SD825	HTT-16, PHD2-SD83	3480*	2610*
3	HDU5 - SD825	HTT-22, PHD5-SD83, HDC5/4-SD825 ³	4685*	3513*
4	PHD6 - SD83	N/A	5860*	4395*
5	HDU8 - SD825	HDQ8-SD83, HDC10/4-SD825 ³	8325*	6243*
6	HDU11 - SD825	HHDQ11 - SD825	11275*	8456*
7	HDU14 - SD825	HHDQ14 - SD825 w/ MIN. 4x6 POST	14,710*	11,028*

- HOLD-DOWN NOTES:**
- SECURE ALL HOLD-DOWN EMBEDS PRIOR TO FOUNDATION INSPECTION.
 - ADDITIONAL FOOTING DEPTH MAY BE REQUIRED TO ACHIEVE MIN. 3" CONCRETE COVER.
 - HDC HOLD-DOWNS ARE CONCENTRIC HOLD-DOWNS AND REQUIRE 4x4 POST. 58TB BOLTS SHALL BE SET AT CENTER OF POST AND SHALL BE SET TO ACCOUNT FOR 2.5" STAND-OFF BASE (NO MUDSILL).
 - SEE LATEST SIMPSON CATALOGUE FOR DISTANCE FROM POST TO 4" OF EMBED/BOLT.
 - DO NOT FIELD-BEND THREADED PORTION OF BOLT IF MIS-LOCATED. OK TO INSTALL HIGH STRENGTH BOLT COUPLER & A307 ALL-THREAD OF EQUAL DIAMETER TO EXTEND HOLD-DOWN (MAX 24") OR CONTACT GCI ASSOCIATES FOR REPAIR.
 - FOR INFORMATION OF HOLD-DOWNS TO STRUCTURAL SLAB SEE DETAIL (18) FD-2.

MUDSILL ANCHOR SPACING			SHEAR CAPACITY	
ANCHOR BOLT SCHEDULE	ANCHOR SIZE AND SPACING	3x MUDSILL	2x MUDSILL	
(A)	5/8" DIA. AB. @ 48" O.C.	293 PLF	230 PLF	
(B)	5/8" DIA. AB. @ 40" O.C.	351 PLF	276 PLF	
(C)	5/8" DIA. AB. @ 32" O.C.	439 PLF	345 PLF	
(D)	5/8" DIA. AB. @ 24" O.C.	585 PLF	350 PLF	
(E)	5/8" DIA. AB. @ 16" O.C.	818 PLF	350 PLF	
(F)	5/8" DIA. AB. @ 8" O.C.	1,755 PLF	350 PLF	
(G)	3/4" DIA. AB. @ 8" O.C.	2,280 PLF		
(H)	MIN. (2)-5/8" DIA. AB.	2,340*		
(J)	MIN. (3)-5/8" DIA. AB.	3,510*		
(K)	MIN. (2)-3/4" DIA. AB.	3,040*		
(L)	MIN. (3)-3/4" DIA. AB.	4,560*		
INTERIOR WALLS	SEE NOTE 1 (NON-SHEAR WALL APPLICATION)			

- SHEAR CAPACITY BASED ON NDS 2005 TABLE 11E (NO STRESS OR LOAD DURATION INCREASE HAS BEEN USED).
- BOLTS SHALL BE EQUALLY SPACED.
- ALL EXTERIOR WALLS TO BE SECURED WITH 5/8" DIA. ANCHOR BOLTS AT MINIMUM 48" O.C. WITH 1" OF EMBEDMENT INTO 1st FLOOR UNLESS OTHERWISE NOTED ON PLANS.
- USE MIN. 3"x3"x0.225" PLATE WASHERS PER ANCHOR BOLT.
- USE MIN. (2) ANCHORS PER PIECE OF MUDSILL, AND WITHIN 12" OF ALL PLATE BREAKS.
- A307 ALL-THREAD BOLT OF EQUAL DIAMETER MAY REPLACE ANCHOR BOLT AT 1:1 RATIO w/ SIMPSON SET EPOXY METHOD PER (CSD) ESR-1172, (1 7/8" CONCRETE EDGE DISTANCE AT EXTERIOR).
- ALL INTERIOR NON-SHEAR WALLS TO BE SECURED WITH HILTI X-DNI-T2 SHOT PINS (0.145" DIA. x 2 7/8" LONG) OR EQUAL AT 3'-0" O.C. AND 6" FROM ENDS (ICC ESR-2978, NOV. 1, 2007).
- SEE DETAIL (20) FD-2 FOR SHOT-PIN AND ANCHOR BOLT INSTALLATION TO STRUCTURAL SLAB.

GCI FN 2007-762
 DATE 03.05.09
 PODIUM SLAB SURFACE PLAN
S1.3